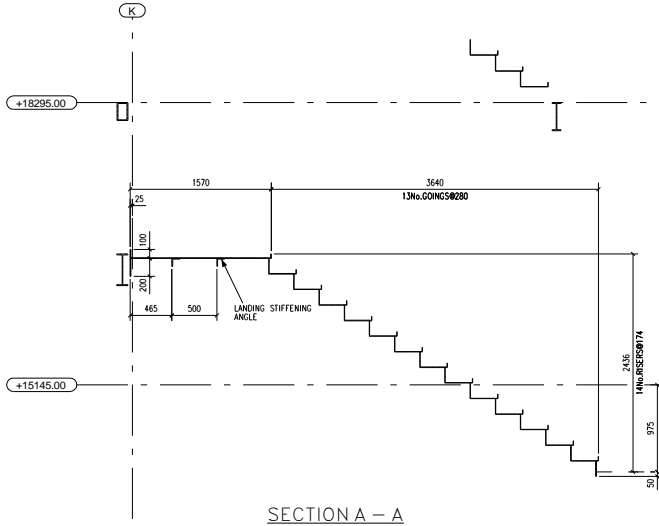
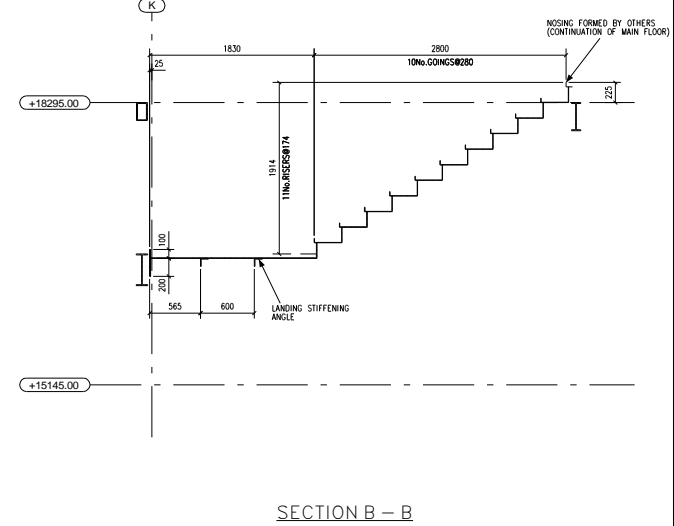


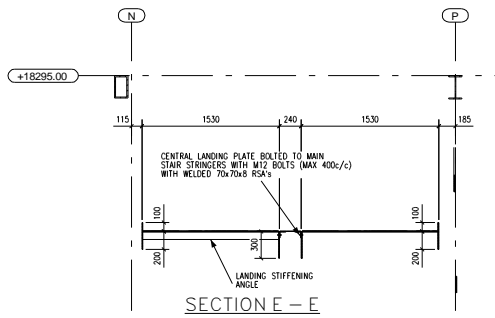
PLAN VIEW



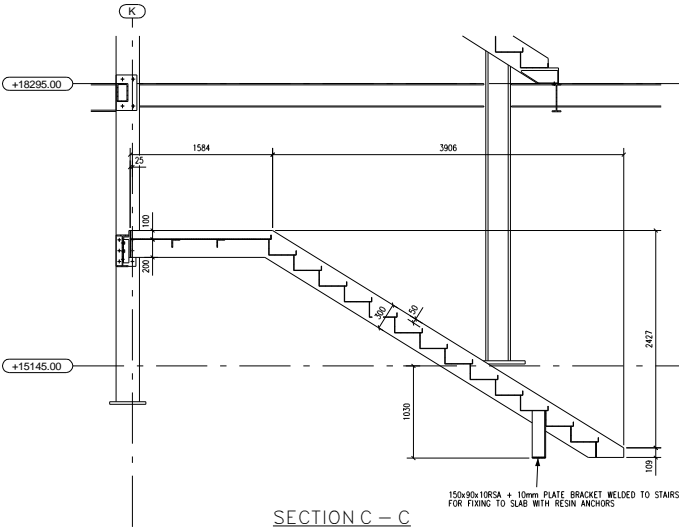
SECTION A - A



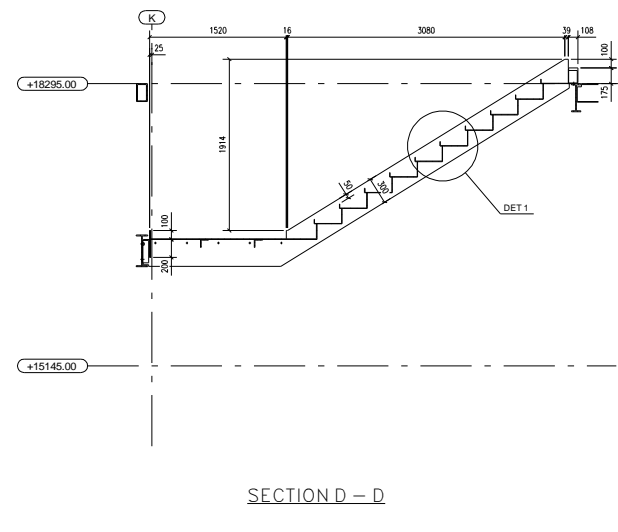
SECTION B - B



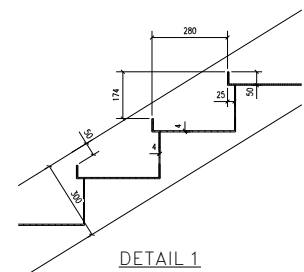
SECTION E - E



SECTION C - C



SECTION D - D



REV. MARK	REVISION DESCRIPTION	REV. DATE
DRAWING TITLE		STAIR 1 - GROUND TO MEZZANINE FLOOR PLAN
CONTRACT		MOSQUE STAIRS
MODELLED BY	D.N.	ISSUE DATE
CONTRACT NO	IN-C51-01	SCALE 1:10 1:30
DRAWING No	GA005	REVISION